

# R10 Rugged Tablet Expansion Modules LF/HF RFID

## User's Manual



# Package Contents

If any of following items are damaged, please contact your retailer.

LF/HF RFID module



RFID door bracket






CTO door plate



Screw & O RING (6+6+4+6)



## LF/HF RFID Module Screws

Screw Name	Screw Type	Quantity	Torque
M2.6X12L & O RING		6 (module to CTO door plate)	2.0 ± 0.3 Kgf-cm
ISOT-M2.0X3L		4 (RFID door bracket to module)	2.0 ± 0.3 Kgf-cm
ISOT-M2.0X4L		6 (CTO door plate to lower case)	2.0 ± 0.3 Kgf-cm



**NOTE**

The pictures are for reference only. Actual items may slightly differ.

# Installation

This section will guide you on how to install the expansion modules to your tablet PC.

**Note:** Make sure to remove the battery before installing any type of expansion modules. For more information on how to remove/install the battery, please refer to the tablet PC service guide.

## Installing the LF/HF RFID Module

To install the LF/HF RFID module, follow the steps below:

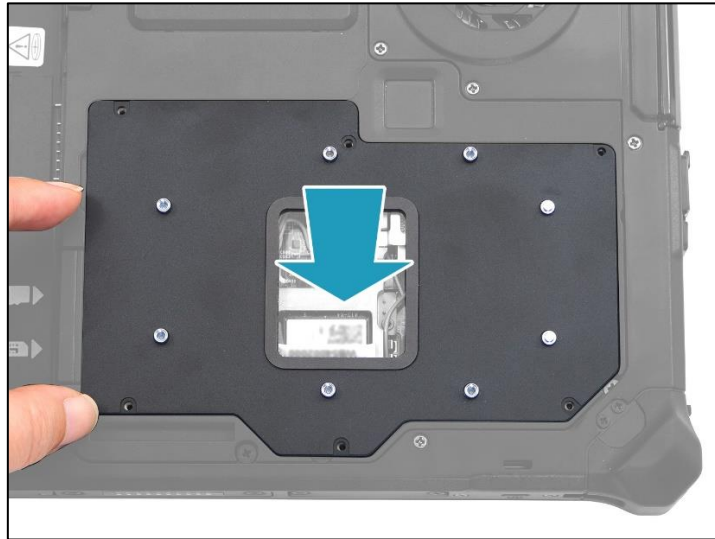
1. Remove the 6 screws securing the CTO door to the lower case.



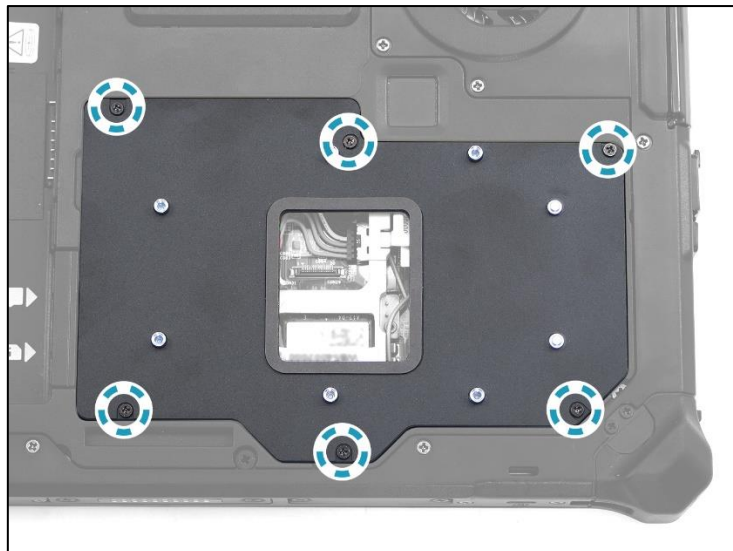
2. Remove the CTO door.



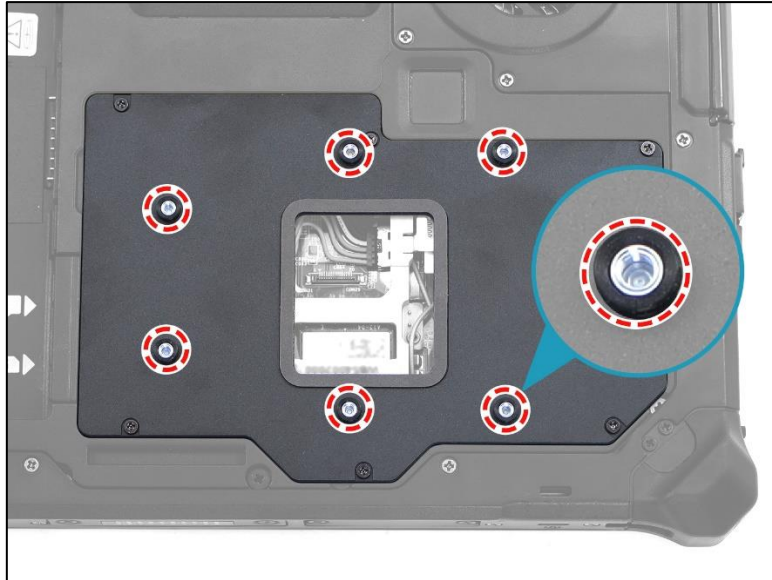
3. Install the CTO door plate onto its compartment on the lower case.



4. Attach the 6 screws to secure the CTO door plate to the lower case.



5. Attach the 6 rubber washers to the screw holes on the CTO door plate.



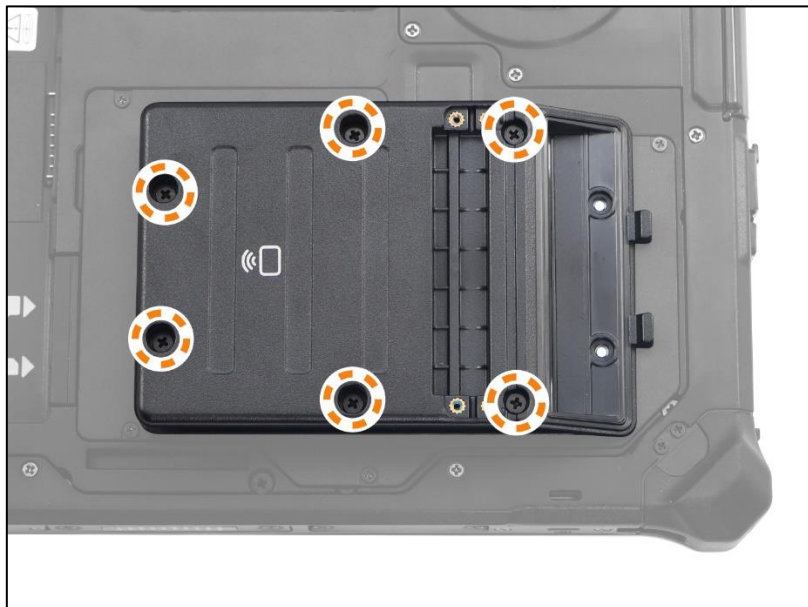
6. Connect the LF/HF RFID module harness to the mainboard connector.



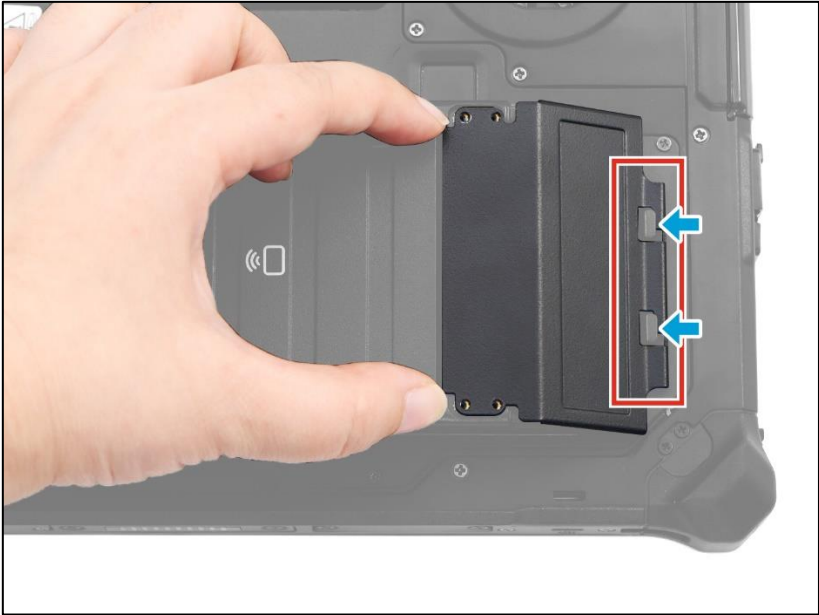
7. Align the LF/HF RFID module with the guide pins (marked in green) and the screw holes (marked in red). Then install the LF/HF RFID module onto its compartment on the CTO door plate.



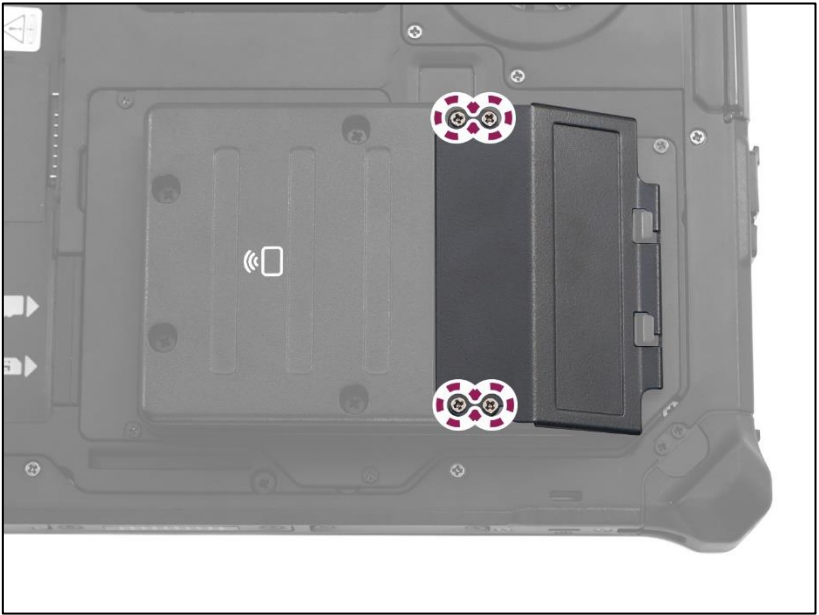
8. Attach the 6 screws to secure the LF/HF RFID module to the lower case. Then align the top edge of the RFID door bracket with the edge of its compartment on the LF/HF RFID module and install it.






9. Push the RFID door bracket down until the latches are engaged.



10. Attach the 4 screws to secure the RFID door bracket to the lower case.



LF/HF RFID Module Screws

Screw Name	Screw Type	Quantity	Torque
M2.6X12L & O RING		6 (module to CTO door plate)	2.0 ± 0.3 Kgf-cm
ISOT-M2.0X3L		4 (RFID door bracket to module)	2.0 ± 0.3 Kgf-cm
ISOT-M2.0X4L		6 (CTO door plate to lower case)	2.0 ± 0.3 Kgf-cm